

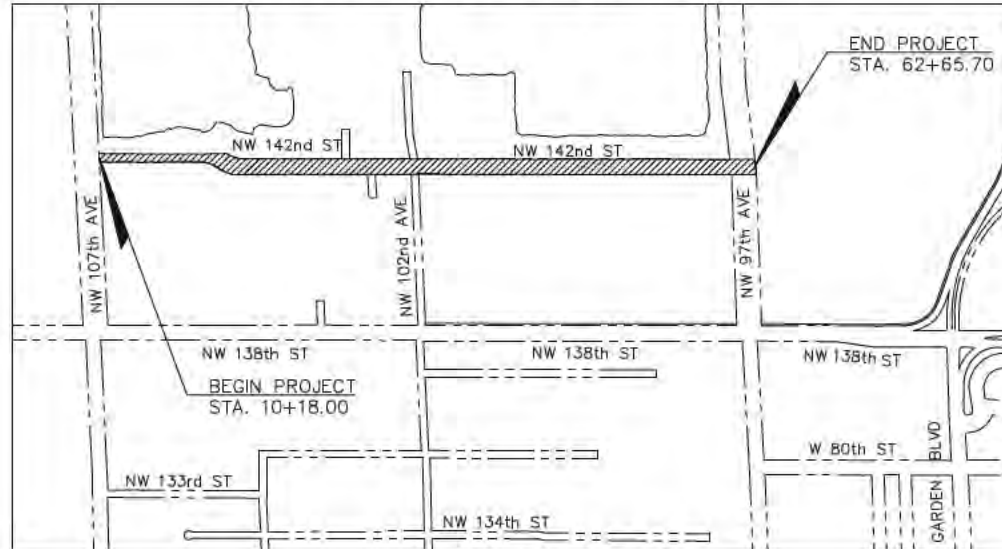
**PLANS FOR PROPOSED
ROADWAY AND DRAINAGE IMPROVEMENTS
NW 142ND STREET
FROM NW 107TH AVE TO NW 97TH AVE
CITY OF HIALEAH, FLORIDA 33108**

INDEX OF DRAWINGS

SHEET NUMBER	SHEET TITLE
C-0	COVER SHEET
C-1	GENERAL NOTES
C-2 THRU C-3	TYPICAL CROSS SECTIONS
C-8 THRU C-14	PLAN AND PROFILE
C-15 THRU C-24	CROSS SECTIONS

LENGTH OF PROJECT

	LINEAR FEET	MILES
ROADWAY	5250	0.99
NET LENGTH OF PROJECT	5250	0.99
GROSS LENGTH OF PROJECT	5250	0.99



LOCATION MAP
SCALE 1" = 1000'

MAYOR
CARLOS HERNANDEZ

COUNCIL PRESIDENT
LUIS GONZALEZ

COUNCIL VICE PRESIDENT
KATHARINE CUE-FUENTE

COUNCIL MEMBERS
JOSE F. CARAGOL
YVIAN CABALLS-MUNOZ
LAVRDES LOZANO
PALM B. HERNANDEZ
ISS GARCIA-MARTINEZ

ATTENTION IS DIRECTED TO THE FACT THAT THESE PLANS MAY HAVE BEEN REDUCED IN SIZE BY REPRODUCTION. THIS MUST BE CONSIDERED WHEN OBTAINING SCALED DATA.

THESE PLANS HAVE BEEN PREPARED IN ACCORDANCE WITH AND ARE GOVERNED BY THE MIAMI-DADE COUNTY PUBLIC WORKS DEPARTMENT STANDARDS AND SPECIFICATIONS PARTS 1, 2 AND 3, THE MANUAL OF UNIFORM MINIMUM STANDARDS FOR DESIGN, CONSTRUCTION AND MAINTENANCE FOR STREETS AND HIGHWAYS, THE FLORIDA DEPARTMENT OF TRANSPORTATION ROADWAY AND TRAFFIC DESIGN STANDARDS, AND THE FLORIDA DEPARTMENT OF TRANSPORTATION STANDARD SPECIFICATIONS, AS AMENDED BY CONTRACT DOCUMENTS.



PREPARED FOR:
CITY OF HIALEAH

BY:



"ALL WORK SHALL BE PERFORMED WITHIN THE LIMITS OF EXISTING STATE / LOCAL RIGHT OF WAY, AND ALL IMPROVEMENTS SHALL BE CONSTRUCTED AND INSTALLED WITHIN SAID LIMITS"

SRS PROJECT#: 1533
DATE: 6/8/2016

SHEET: C-0



Project Boundary
 Exotic Dominated Wetlands

0 250 500 1,000 1,500 2,000 Feet



NW 142nd Street
MIAMI-DADE COUNTY, FLORIDA



RS Environmental Consulting Inc.
 P.O. Box 161158
 Miami FL, 33116
 Phone: 305-383-3404
 Fax: 305-3833270
www.rs-env.com

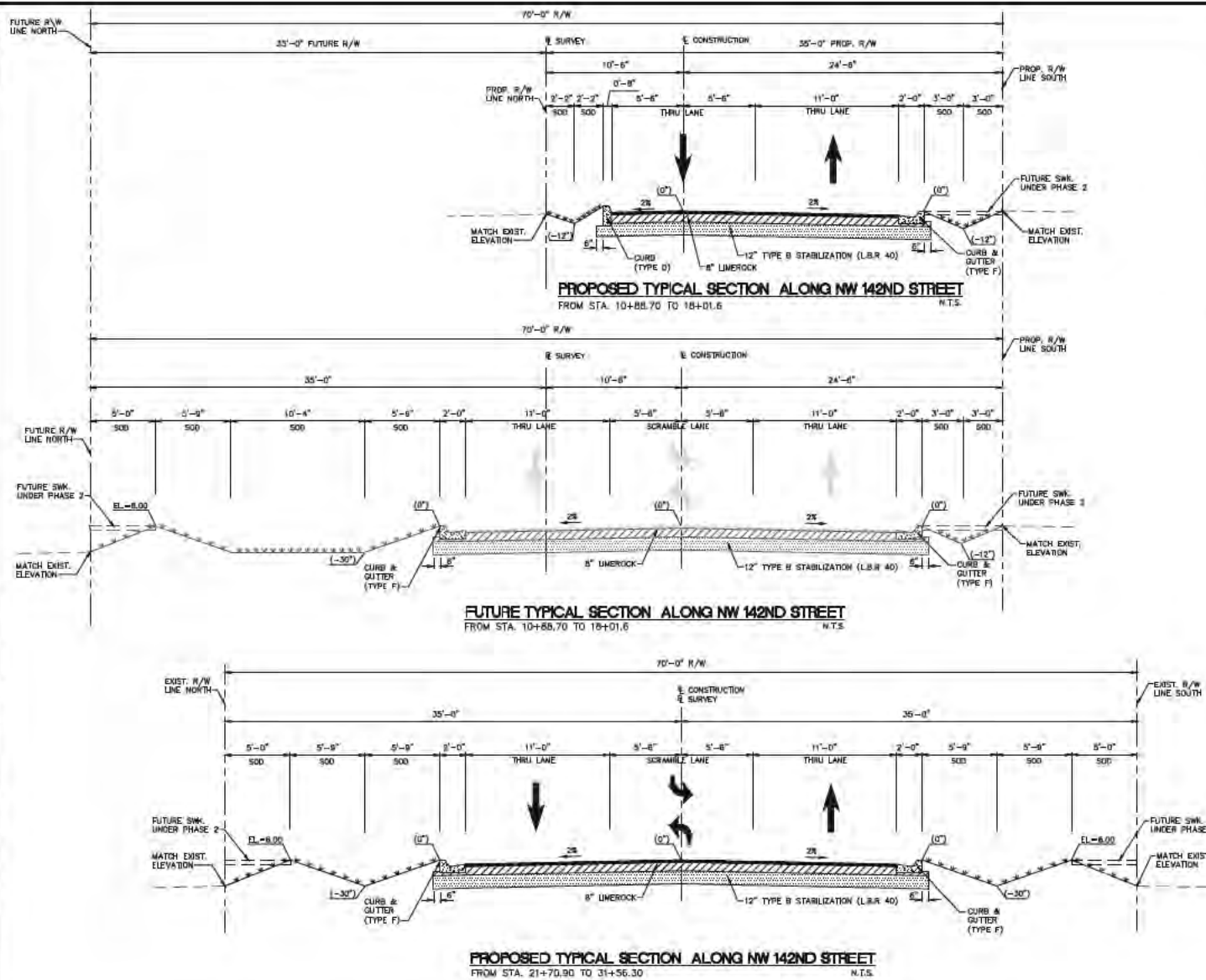
Wetland ID Map

T-52,R-40,S-20

DRAWN BY: LVK	DATE: 1-12-2016
CHECKED BY: RWS	SCALE: AS SHOWN

1/20/2016 8:35 AM

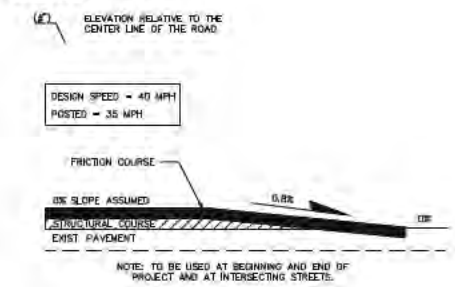
F:\ENGINEERING\SSS PROJECTS\2015\1533 - NW 142 STREET ROADWAY DESIGN-C-2-C-3 TYPICAL CROSS SECTIONS.DWG



TYPICAL SECTION NOTES

1. ALL EXISTING LIMEROCK BASE THAT IS REMOVED IS TO BE INCORPORATED INTO THE STABILIZED PORTION OF THE SUBGRADE AND IS NOT TO BE USED IN CONSTRUCTION OF THE PROPOSED BASE.
2. EXTEND LIMEROCK BASE (6" THICK) 6" OUTSIDE EDGES OF PAVEMENT AT ALL CONNECTIONS AND INTERSECTIONS TO COUNTY STREETS AND ROADS.
3. STABILIZE ALL TURNOUTS AND INTERSECTIONS TO COUNTY ROADS AND STREETS TO A DEPTH OF 12" (MIN CBR OF 30) AND 12" OUTSIDE EDGES OF PAVEMENT, 6" BACK OF CURB.
4. DROP CURB & DRIVEWAY CONNECTIONS SHALL BE PROVIDED FOR ACCESS TO ALL PRIVATE PROPERTIES ADJACENT TO THE PROJECT CONSTRUCTION. FINAL LOCATION OF DRIVEWAY ACCESS TO BE DETERMINED BY THE ENGINEER/CITY.
5. COST OF LIMEROCK BASE BENEATH CURB & GUTTER ARE TO BE INCLUDED IN COST OF C & G (ITEM 520-1-10).
6. CONSTRUCT LIMEROCK BASE (6" THICK) PRIME, WITH TYPE SF-12.5 (2" THICK) AND TYPE F.C. 9.5 (1" THICK) ASPHALTIC CONCRETE STRUCTURAL COURSE.

LEGEND



FEATHERING DETAIL

N.T.S.

REV.	DATE	BY:	DESCRIPTION

DESIGNED BY: E.V.
 DRAWN BY: J.B.
 CHECKED BY: J.C.F.
 DATE: 6/18/2016

SEAL:



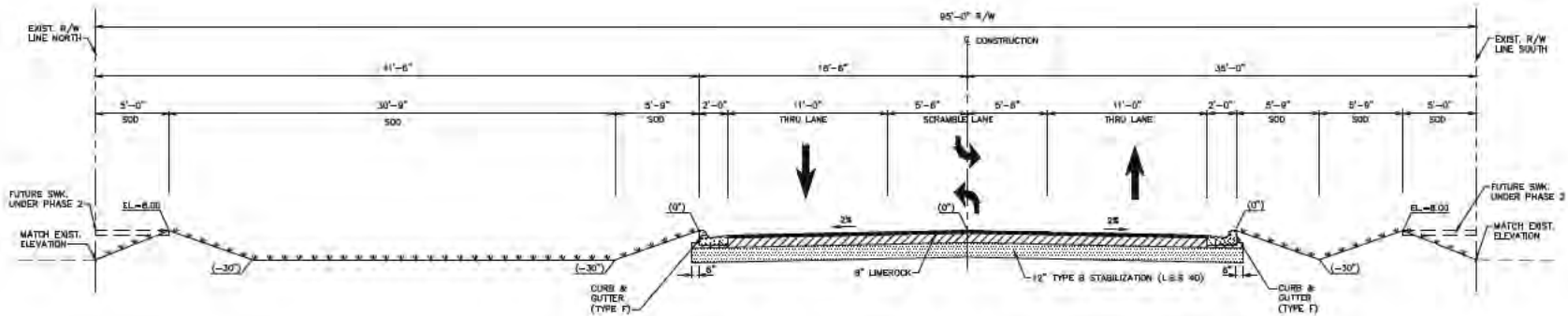
CITY OF HIALEAH
ROADWAY AND DRAINAGE IMPROVEMENTS
NW 142ND STREET
FROM NW 107TH AVE TO NW 97TH AVE

TYPICAL CROSS SECTIONS

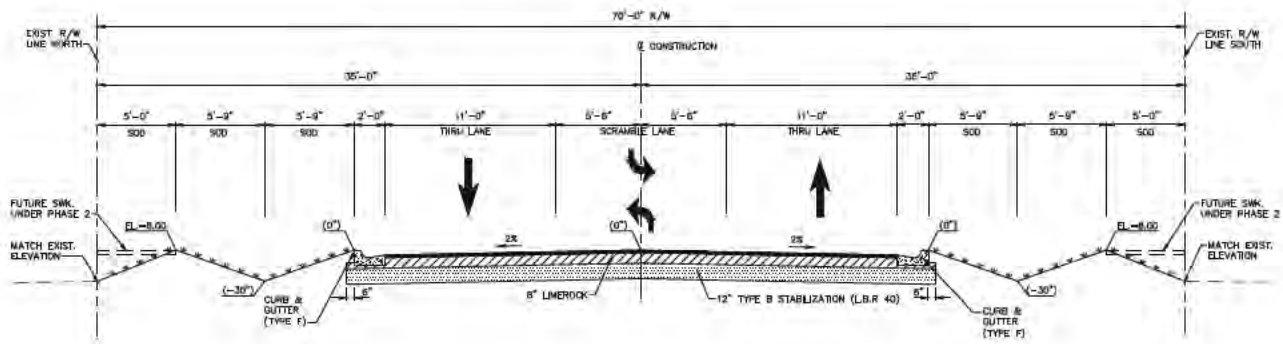
SCALE: AS SHOWN
 PROJECT NO.: 1533
 DWG. NO.: 1533C-2
 SHEET: C-2

1/29/2016 9:35 AM

P:\ENGINEERING\SR\PROJECTS\2015\1533 - NW 142 STREET ROADWAY IMPROVEMENTS\2_1_3 - TYPICAL CROSS SECTION.DWG



PROPOSED TYPICAL SECTION ALONG NW 142ND STREET
FROM STA. 32+73.50 TO 35+94.40 N.T.S.



PROPOSED TYPICAL SECTION ALONG NW 142ND STREET
FROM STA. 37+35.00 TO 62+25.26 N.T.S.

REV.	DATE	BY:	DESCRIPTION

DESIGNED BY: E.V.
 DRAWN BY: J.B.
 CHECKED BY: J.C.F.
 DATE: 6/11/2016

SEAL:



CITY OF HIALEAH
ROADWAY AND DRAINAGE IMPROVEMENTS
 NW 142ND STREET
 FROM NW 107TH AVE TO NW 97TH AVE

TYPICAL CROSS SECTION

SCALE:
 AS SHOWN
 PROJECT NO.: 1533
 DWG. NO.: 1533C-3
 SHEET: **C-3**