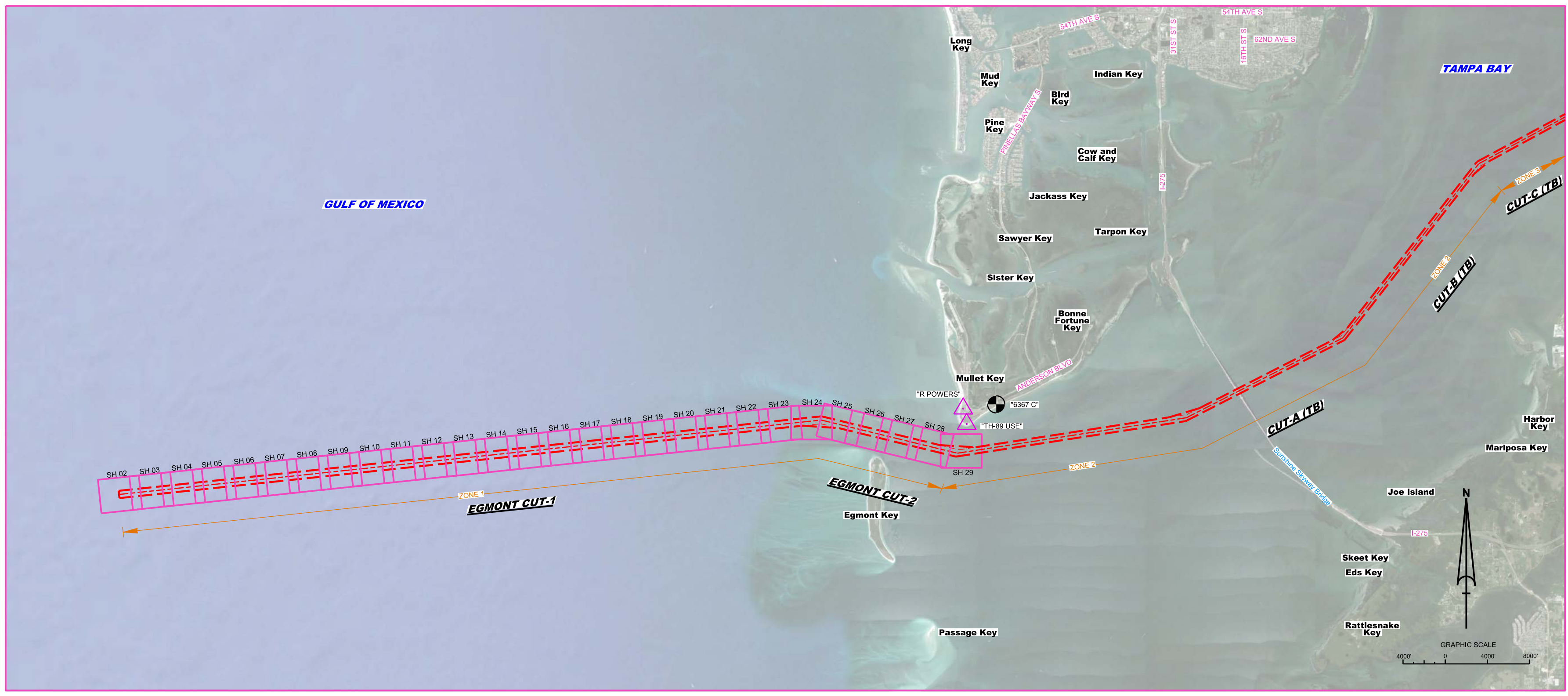
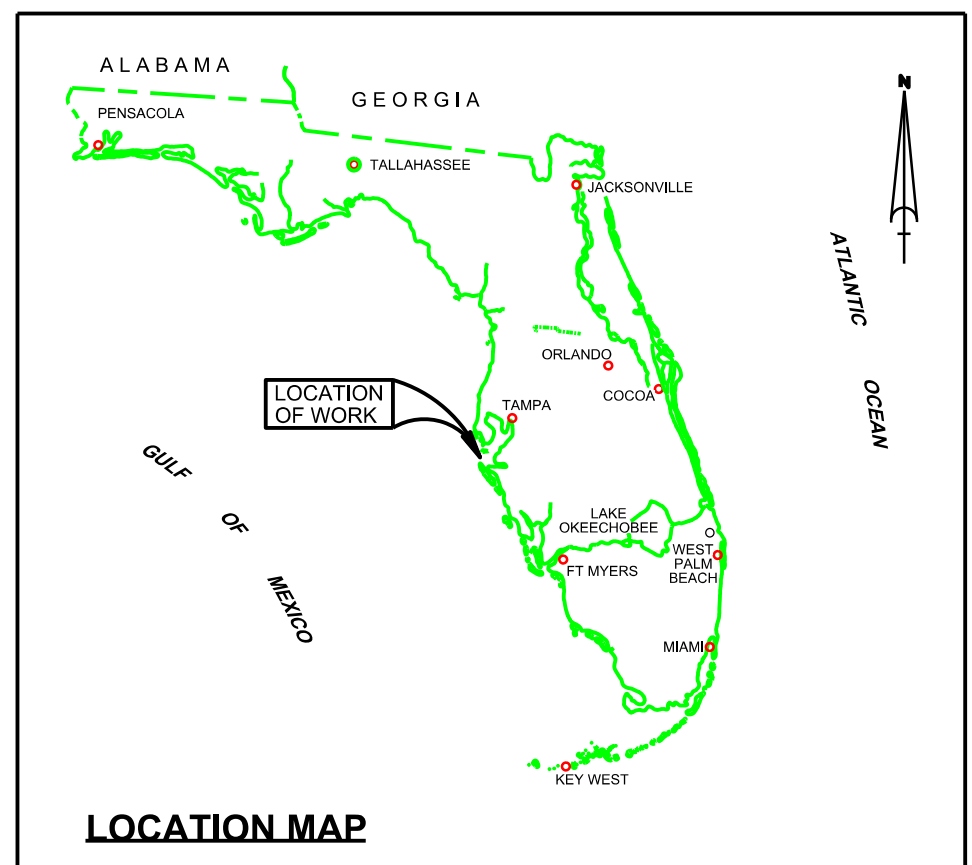


TAMPA HARBOR HILLSBOROUGH COUNTY, FLORIDA EGMONT KEY CUTS 1 & 2 (ZONE 1) HYDROGRAPHIC EXAM SURVEY FY18 45-FOOT PROJECT

SURVEY NOTES

1. REFER TO SURVEY NO. 18-139.
 2. DEPTHS DEPICTED BY THIS SURVEY ARE IN FEET AND TENTHS AND ARE REFERENCED TO MLLW, TIDAL EPOCH 1983-2001, AS REPORTED BY THE NATIONAL OCEANIC AND ATMOSPHERIC ADMINISTRATION (NOAA). A MODIFIED VERSION OF NOAA'S VDATUM MODEL WAS USED TO CALIBRATE TO THE PUBLISHED MLLW HEIGHTS OF THE BENCH MARKS BELOW:
NOAA TIDAL STATION 872-6367 FOR ALL CUTS (PID: AG7401)
 3. TIDAL REDUCTIONS WERE OBTAINED UTILIZING A REAL-TIME KINEMATIC (RTK) GPS AND REFERENCED TO MLLW UTILIZING A HYPACK KINEMATIC TIDE DATUM (KTD) MODEL. FILE NAME IS: "SPC-FL-WEST-2010-12-07.KTD".
 4. ALL ELEVATIONS ARE BELOW THE CHART DATUM UNLESS PRECEDED BY A (+) SIGN.
 5. PLANE COORDINATES ARE BASED ON THE TRANSVERSE MERCATOR PROJECTION FOR THE WEST ZONE OF FLORIDA AND REFERENCED TO NORTH AMERICAN DATUM OF 1983 (NAD83).
 6. ALL STATIONING REFERS TO THE CENTERLINE OF THE CHANNEL.
 7. THIS SURVEY WAS PERFORMED USING REAL-TIME KINEMATIC (RTK) GPS POSITIONING WITH THE FOLLOWING REFERENCE BASE LOCATIONS:
REFERENCE BASE LOCATED AT "TH-89 USE" (PID: AG0988)
REFERENCE BASE LOCATED AT "R POWERS" (PID: BBDR33)
TIDESTAFF SET FROM "872 6367 C" (PID: AG7401)
 8. VERTICAL MEASUREMENTS WERE MADE USING A R2SONIC 2024 MULTI-BEAM SENSOR OPERATING AT 240 KHZ, A ROSS 835B DUAL-FREQUENCY 28/200 KHZ SMARTSOUNDER SINGLE-BEAM TRANSDUCER AND AN EDGE-TECH 6205 COMBINED SIDESCAN AND MULTI-BEAM TRANSDUCER. ALL SOUNDINGS SHOWN ARE IN HIGH FREQUENCY.
- | VESSEL | DATE OF SURVEY | CUT |
|-----------------|-----------------|--------------|
| SV JACKSONVILLE | 24 MAY 2018 | EGMONT CUT-2 |
| SB-44 | 20 JUN 2018 | EGMONT CUT-1 |
| SV JACKSONVILLE | 21-23 JUN 2018 | EGMONT CUT-1 |
| SV JACKSONVILLE | 03, 07 JUL 2018 | EGMONT CUT-1 |
9. AIDS TO NAVIGATION WERE LOCATED DURING THIS SURVEY.
 10. THE INFORMATION DEPICTED ON THIS MAP REPRESENTS THE RESULTS OF SURVEYS MADE ON THE DATES INDICATED ABOVE AND CAN ONLY BE CONSIDERED AS INDICATING THE GENERAL CONDITIONS AT THAT TIME. THIS CHART IS SOLELY FOR THE DISTRIBUTION OF AVAILABLE DEPTHS AT THE TIME OF THE SURVEY.
 11. SURVEY ACCURACY PERFORMANCE STANDARDS, QUALITY CONTROL, AND QUALITY ASSURANCE REQUIREMENTS WERE FOLLOWED DURING THIS SURVEY IN ACCORDANCE WITH USACE EM 1110-2-1003, HYDROGRAPHIC SURVEYING, 30 NOV 13.

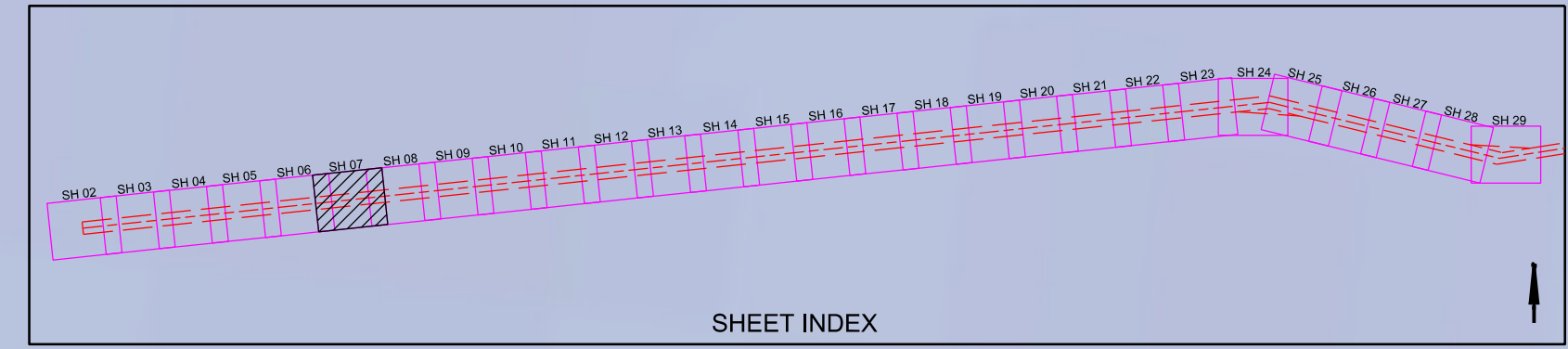
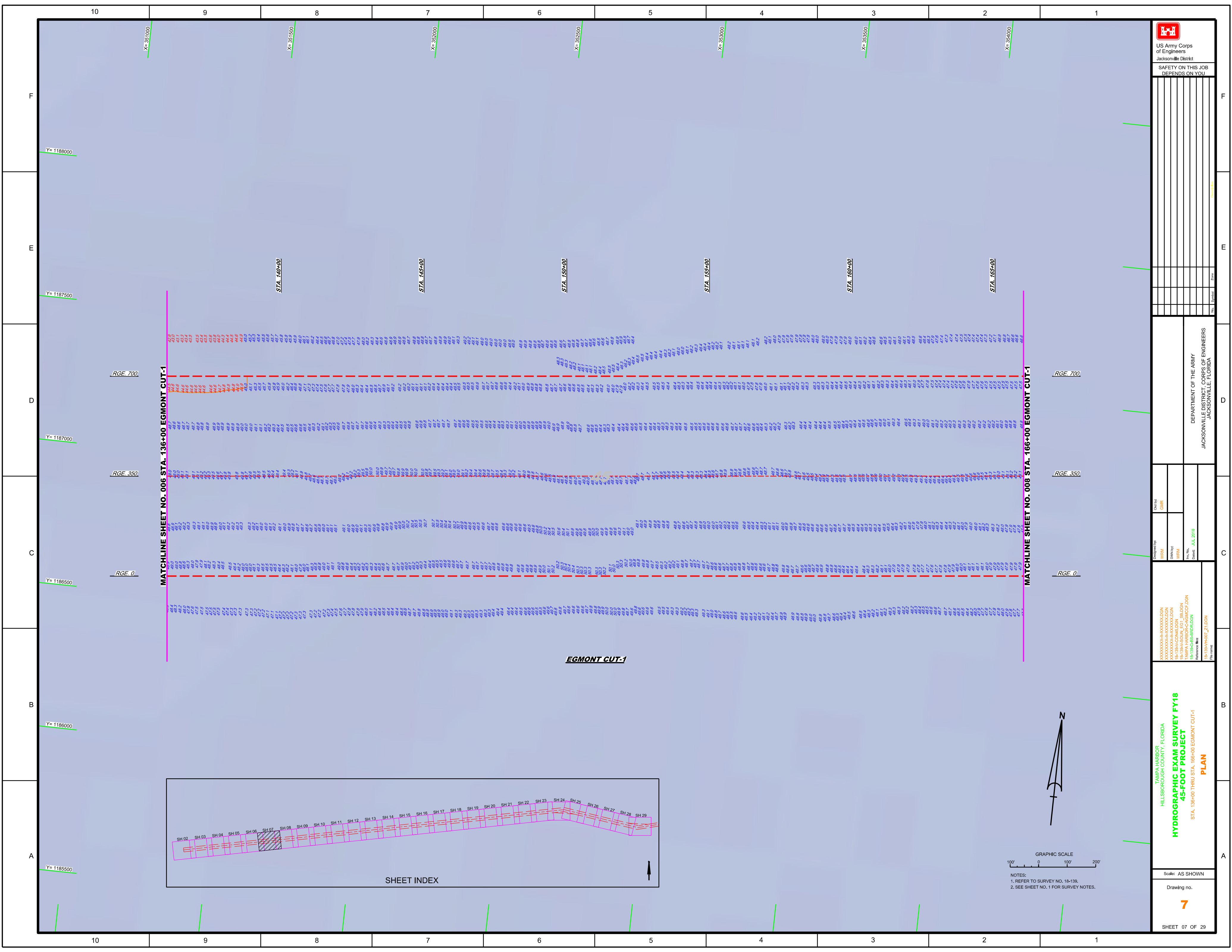
LEGEND	
▲	MONUMENT
⚓	LIGHTED BEACON
■	GREEN DAYBEACON
▲	RED DAYBEACON
⚓	RED LIGHTED BUOY
⚓	GREEN LIGHTED BUOY
⚓	CAN BUOY
⚓	NUN BUOY
⚓	TIDE STAFF
8	PROJECT DEPTH



US Army Corps of Engineers
Jacksonville District

SAFETY ON THIS JOB
DEPENDS ON YOU

DEPARTMENT OF THE ARMY JACKSONVILLE DISTRICT, CORPS OF ENGINEERS JACKSONVILLE, FLORIDA	TAMPA HARBOR HILLSBOROUGH COUNTY, FLORIDA HYDROGRAPHIC EXAM SURVEY FY18 45-FOOT PROJECT INDEX, LOCATION AND VICINITY MAP
Check by: GMR Designed by: WRM Drawn by: WRM File No: TAMPA HARBOR-CV-MG02.DGN Reference File: 18-139-H001_Z1.DGN Date: JUL 2018	Scale: AS SHOWN Drawing no. <b style="font-size: 2em;">1
SHEET 01 OF 29	

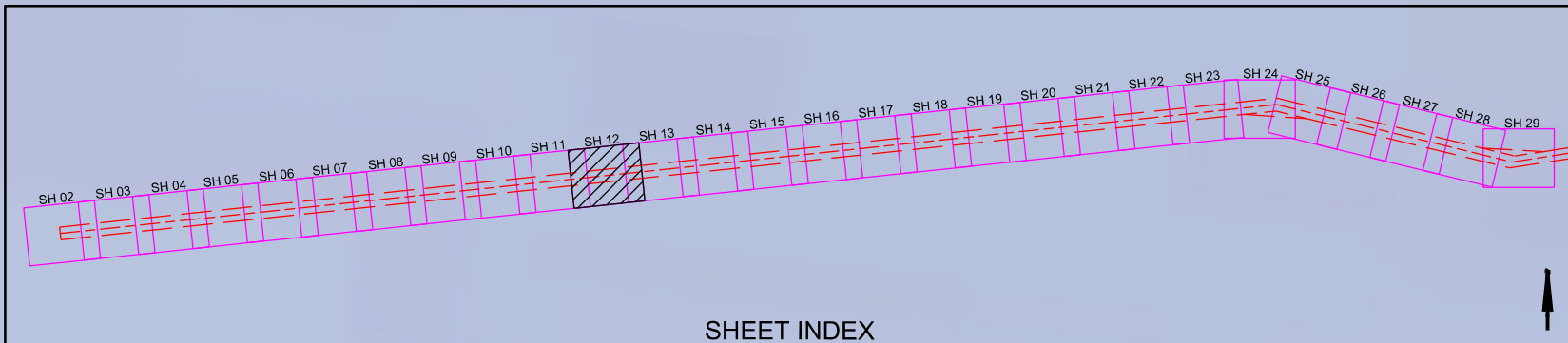
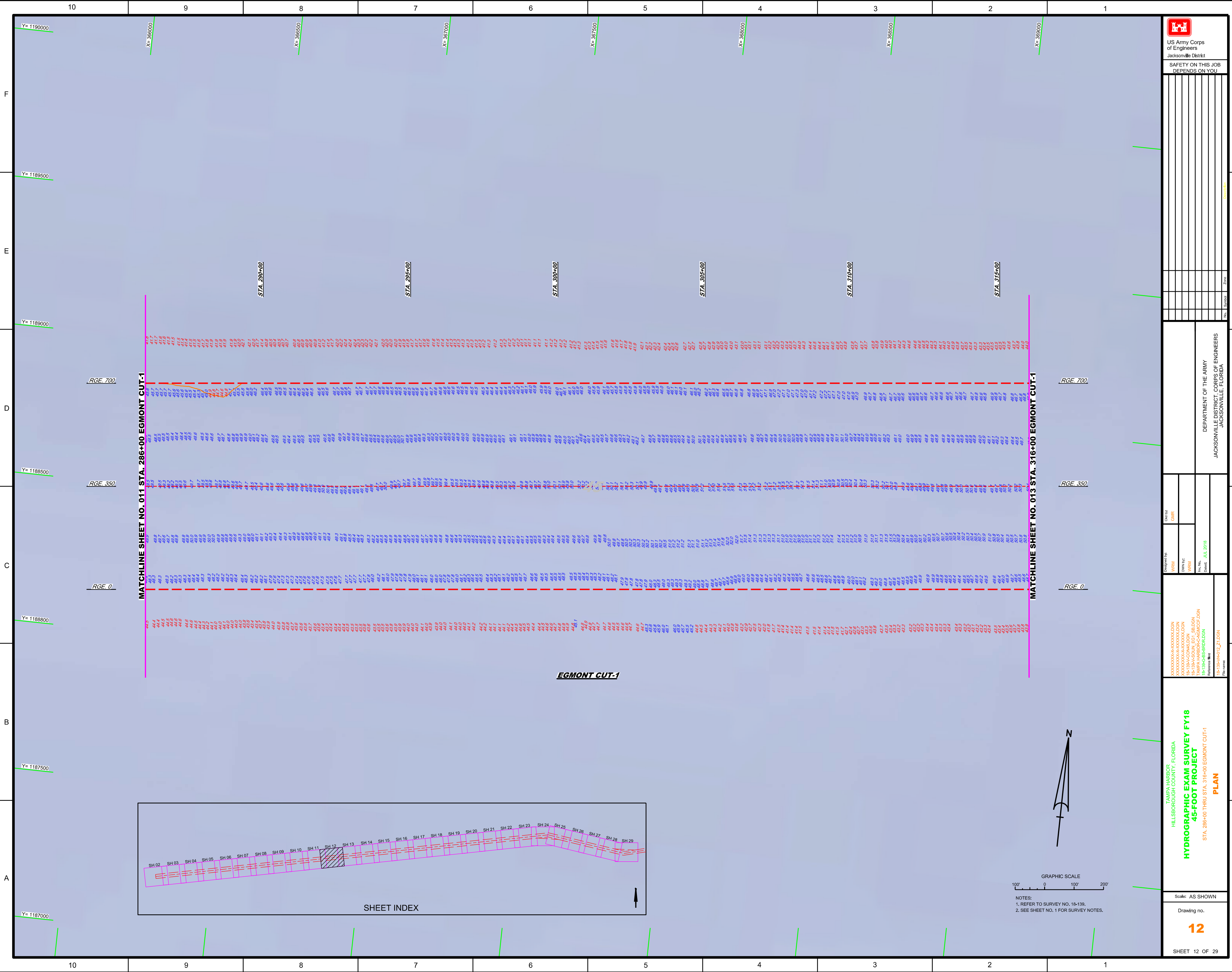


EGMONT CUT-1

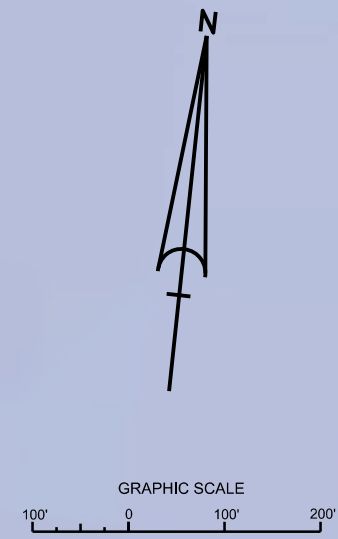
MATCHLINE SHEET NO. 006 STA. 136+00 EGMONT CUT-1

MATCHLINE SHEET NO. 008 STA. 166+00 EGMONT CUT-1

<p>US Army Corps of Engineers Jacksonville District</p>	
<p>SAFETY ON THIS JOB DEPENDS ON YOU</p>	
<p>DESIGNED BY: WRM</p>	<p>CHECKED BY: GHR</p>
<p>DRAWN BY: WRM</p>	<p>DATE: JUL 2018</p>
<p>PROJECT: 18-138A-COM-10DN</p>	<p>DEPARTMENT OF THE ARMY JACKSONVILLE DISTRICT, CORPS OF ENGINEERS JACKSONVILLE, FLORIDA</p>
<p>PROJECT: 18-138A-COM-10DN</p>	<p>HYDROGRAPHIC EXAM SURVEY FY18 45-FOOT PROJECT</p>
<p>PROJECT: 18-138A-COM-10DN</p>	<p>STA. 136+00 THRU STA. 166+00 EGMONT CUT-1</p>
<p>PROJECT: 18-138A-COM-10DN</p>	<p>PLAN</p>
<p>PROJECT: 18-138A-COM-10DN</p>	<p>Scale: AS SHOWN</p>
<p>PROJECT: 18-138A-COM-10DN</p>	<p>Drawing no.</p>
<p>PROJECT: 18-138A-COM-10DN</p>	<p>7</p>
<p>PROJECT: 18-138A-COM-10DN</p>	<p>SHEET 07 OF 29</p>

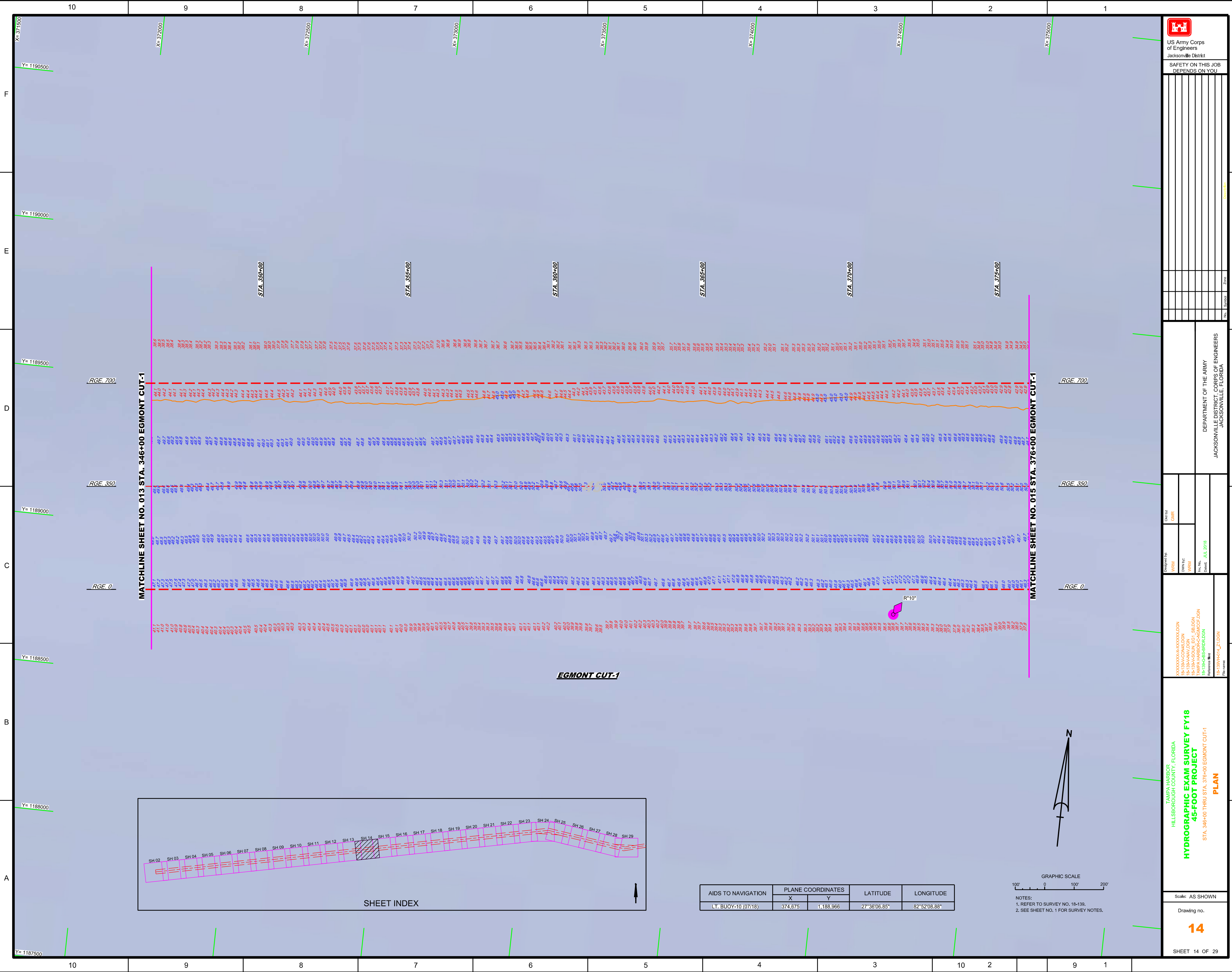


EGMONT CUT-1

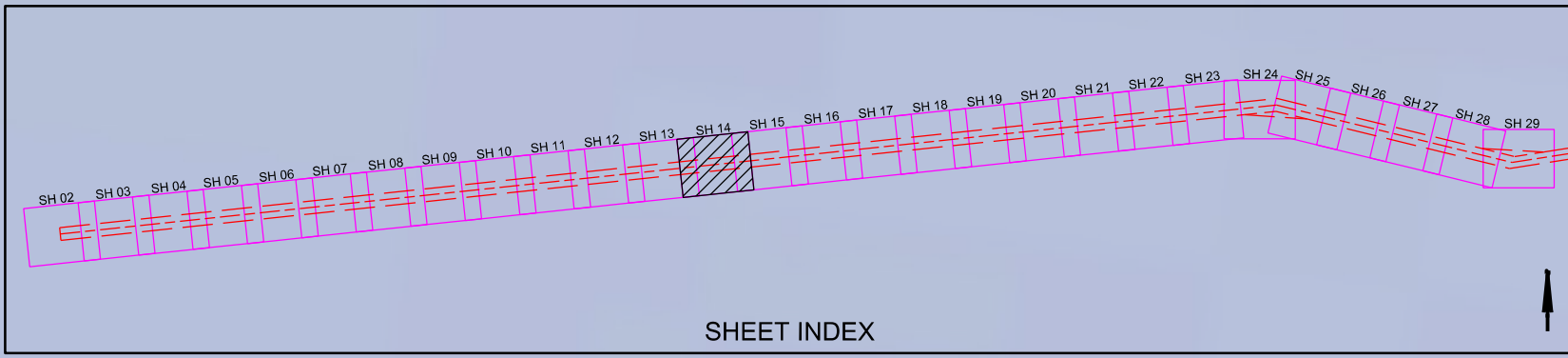


NOTES:
 1. REFER TO SURVEY NO. 18-139.
 2. SEE SHEET NO. 1 FOR SURVEY NOTES.

 US Army Corps of Engineers Jacksonville District SAFETY ON THIS JOB DEPENDS ON YOU
DESIGNED BY: WRM CHECKED BY: GMR DRAWN BY: WRM DATE: JUL 2018
PROJECT: HYDROGRAPHIC EXAM SURVEY FY18 45-FOOT PROJECT STA. 286+00 THRU STA. 316+00 EGMONT CUT-1 PLAN
DEPARTMENT OF THE ARMY JACKSONVILLE DISTRICT, CORPS OF ENGINEERS JACKSONVILLE, FLORIDA
SHEET 12 OF 29

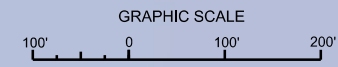


EGMONT CUT-1




SHEET INDEX

AIDS TO NAVIGATION	PLANE COORDINATES		LATITUDE	LONGITUDE
	X	Y		
LT. BUOY-10 (07/18)	374,875	1,188,966	27°38'06.85"	82°52'08.88"



NOTES:
 1. REFER TO SURVEY NO. 18-139.
 2. SEE SHEET NO. 1 FOR SURVEY NOTES.



US Army Corps of Engineers
 Jacksonville District
 SAFETY ON THIS JOB
 DEPENDS ON YOU

DEPARTMENT OF THE ARMY
 JACKSONVILLE DISTRICT, CORPS OF ENGINEERS
 JACKSONVILLE, FLORIDA

Designed by: WRM
 Checked by: GHR
 Drawn by: WRM
 Date: JUL 2018

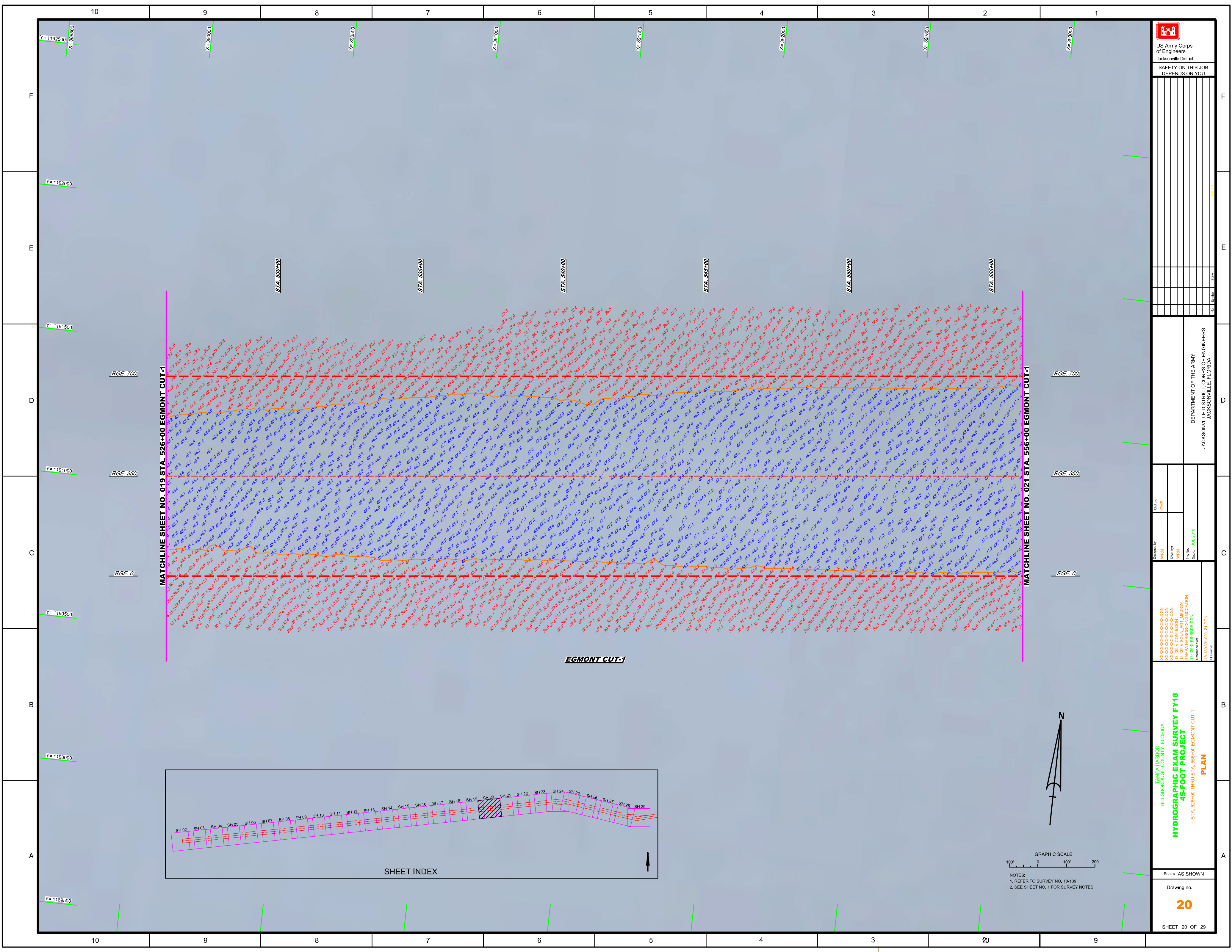
XXXXXXXXXXXX.DGN
 18-139A-COAS.DGN
 18-139A-HAV.DGN
 18-139A-IBS.DGN
 18-139A-IBS-IBR.DGN
 18-139A-IBS-IBR-LZ.DGN

TAMPA HARBOR
 HILLSBOROUGH COUNTY, FLORIDA
**HYDROGRAPHIC EXAM SURVEY FY18
 45-FOOT PROJECT**
 STA. 346+00 THRU STA. 376+00 EGMONT CUT-1
PLAN

Scale: AS SHOWN

Drawing no.
14

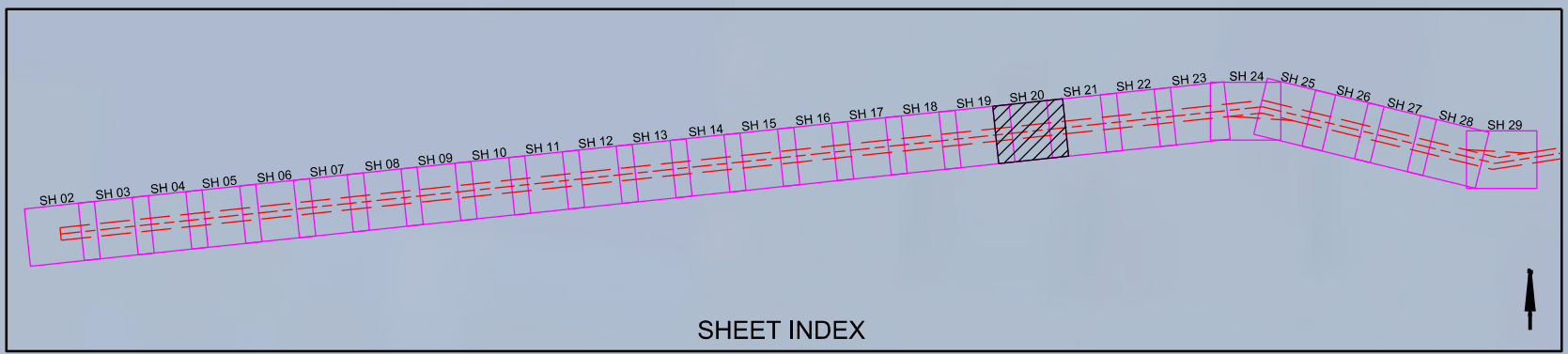
SHEET 14 OF 29



MATCHLINE SHEET NO. 019 STA. 526+00 EGMONT CUT-1

MATCHLINE SHEET NO. 021 STA. 556+00 EGMONT CUT-1

EGMONT CUT-1



SHEET INDEX

GRAPHIC SCALE
 1" = 100'
 0 100' 200'
 NOTES:
 1. REFER TO SURVEY NO. 18-139.
 2. SEE SHEET NO. 1 FOR SURVEY NOTES.